

ASUS BE24EQK

Video Conferencing Monitor



Key Features



Low Blue Light & Flicker Free



IPS technology panel is optimized for the finest image and color quality with 178° wide-viewing-angle



Webcam with Mic Array

Built in adjustable 2MP Full HD Webcam & Mic Array deliver better online communication



DisplayPort

Extensive connectivity with DisplayPort, HDMI, D-sub, Audio in, Earphone jack



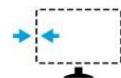
Flicker-free

ASUS Flicker-Free Technology clears out the distracting flicker, and brings viewing comfort.



Ultra-low Blue Light

Four levels of Blue Light Filter help users effectively reduce harmful blue light from the screen by tasks.



Frameless Design

Frameless panel design for an ideal multi display setup



Stereo Speaker

Built-in 2W stereo speakers for audio experience



Wall Mountable

Compatible with VESA Wall Mount Standard (100 x 100 mm).



Complied with ENERGY STAR® for environmental protection & money saving

Specification

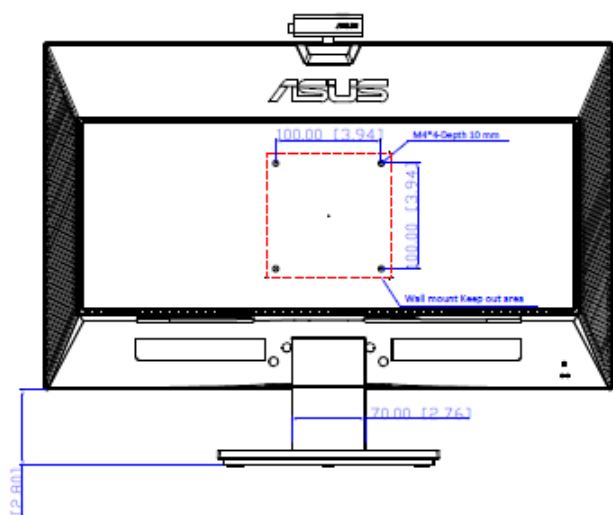
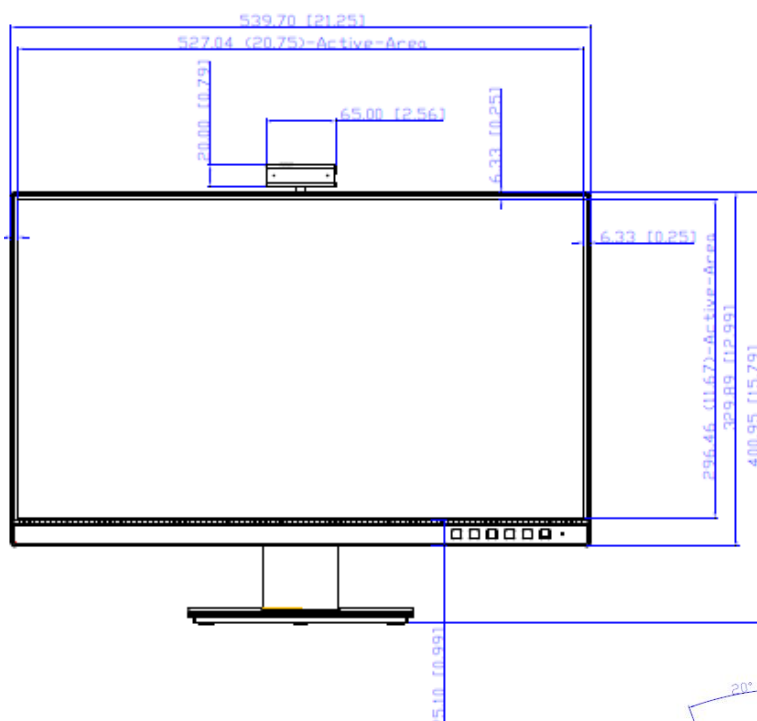
Display	Panel Size(diagonal)	23.8"(60.47cm) Wide Screen (16:9)
	Display Viewing Area(HxV)	527.04 x 296.46 mm
	Panel Type	IPS
	Display Surface	non-glare
	Color Saturation	72% NTSC
	True Resolution	1920 x 1080
	Pixel Pitch	0.2745 mm
	Brightness (Max.)	300cd/m ²
	Contrast Ratio (Max.)	1000:1
	ASUS Smart Contrast Ratio(ASCR)	100,000,000:1
	Viewing Angle (CR _≥ 10)	178°(H)/178°(V)
	Display Colors	16.7 million
	Response Time	5ms (GTG)
Video Features	Splendid Video Intelligence Tech.	Yes
	Skin-Tone Selection	3 modes
	Color Temperature Selection	4 modes (Cool/Normal/Warm/User)
	HDCP support	Yes (1.4)
	QuickFit	Yes
	Blue Light Filter	Yes
	Webcam (built-in)	Yes (2M 1080p; Swivel +180° ~ -135°, Tilt +10° ~ -10°)
Audio Features	Stereo Speaker	2W x 2 stereo, RMS
Input/ Output	HDMI, DisplayPort, D-Sub, Audio-in, Earphone jack, Mic Array, USB port(upstream for webcam)	
Signal Frequency	Digital/ Analog Signal Frequency	30~83 KHz(H) / 50~76 Hz(V)
Power	Power Consumption	<15 W* ¹
	Power Saving Mode	<0.5W
	Power Off Mode	0W(hard switch)
	Voltage	100–240V, 50 / 60 Hz
Mechanical Design	Chassis Colors	Black
	Tilt(angle)	Yes (+20° ~ -5°)
	VESA Wall Mounting	100x100mm
Security	Kensington lock	Yes
Dimension	Phys. Dimension (WxHxD)	540 x 426 x 195 mm (with stand+webcam), 540 x 355 x 53 mm (without stand)
	Box Dimension (WxHxD)	610 x 494 x 168 mm (610 x 432 x 169 mm)* ²
Weight	4.6 Kg(Net); 3.9 kg(Net weight without stand) 6.4 Kg (Gross)	
Accessories	Power cord(1.5m), VGA cable (1.5m, optional) , DP Cable(1.5m, optional), HDMI cable(1.5m, optional), Audio cable(1.5m, optional), USB cable(1.5m, upstream for webcam), Warranty card, Quick Start Guide	
Compliance Standards	Energy Star®, UL/cUL, CB, CE, ErP, EU Energy label, FCC, ICES-3, CCC, CEL, ISO9241-307, BSMI, CU, C-Tick, MEPS, VCCI, PSE, J-MOSS, KC, KCC, e-Standby, RoHS, Windows 7 & 8.1 & 10 WHQL, EPEAT Silver(by country), TCO 8.0, TUV Flicker Free, TUV Low Blue Light, WEEE	

*1.Measuring a screen brightness of 200 nits without audio/ USB/ Card reader connection

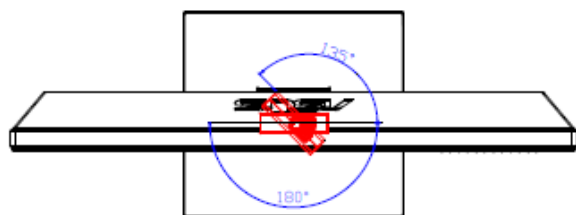
*2. Box dimension may be varied by ship date and depends on actual size.

*.All specifications are subject to change without notice.

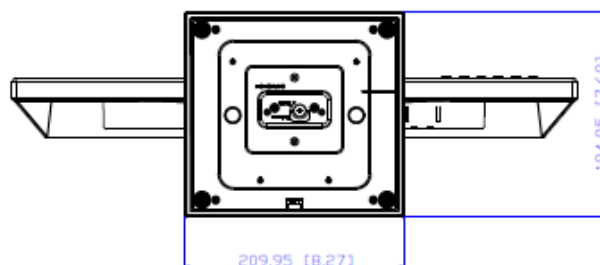
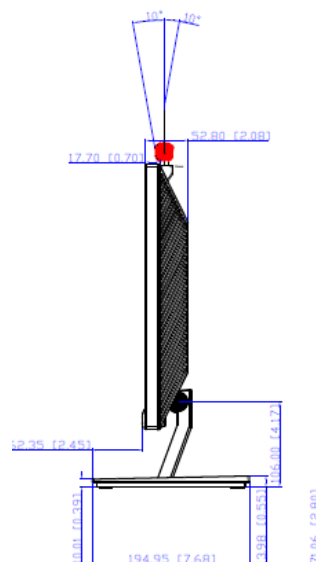
Outline Dimension



Webcam/Swivel:
Clockwise 180 Degree
Counterclockwise 135 Degree



Webcam/Tilt:-10~10 Degree



*Unit: mm(inch)